

8 7 6 5 4 3 2 1

F

F

E

E

D

D

C

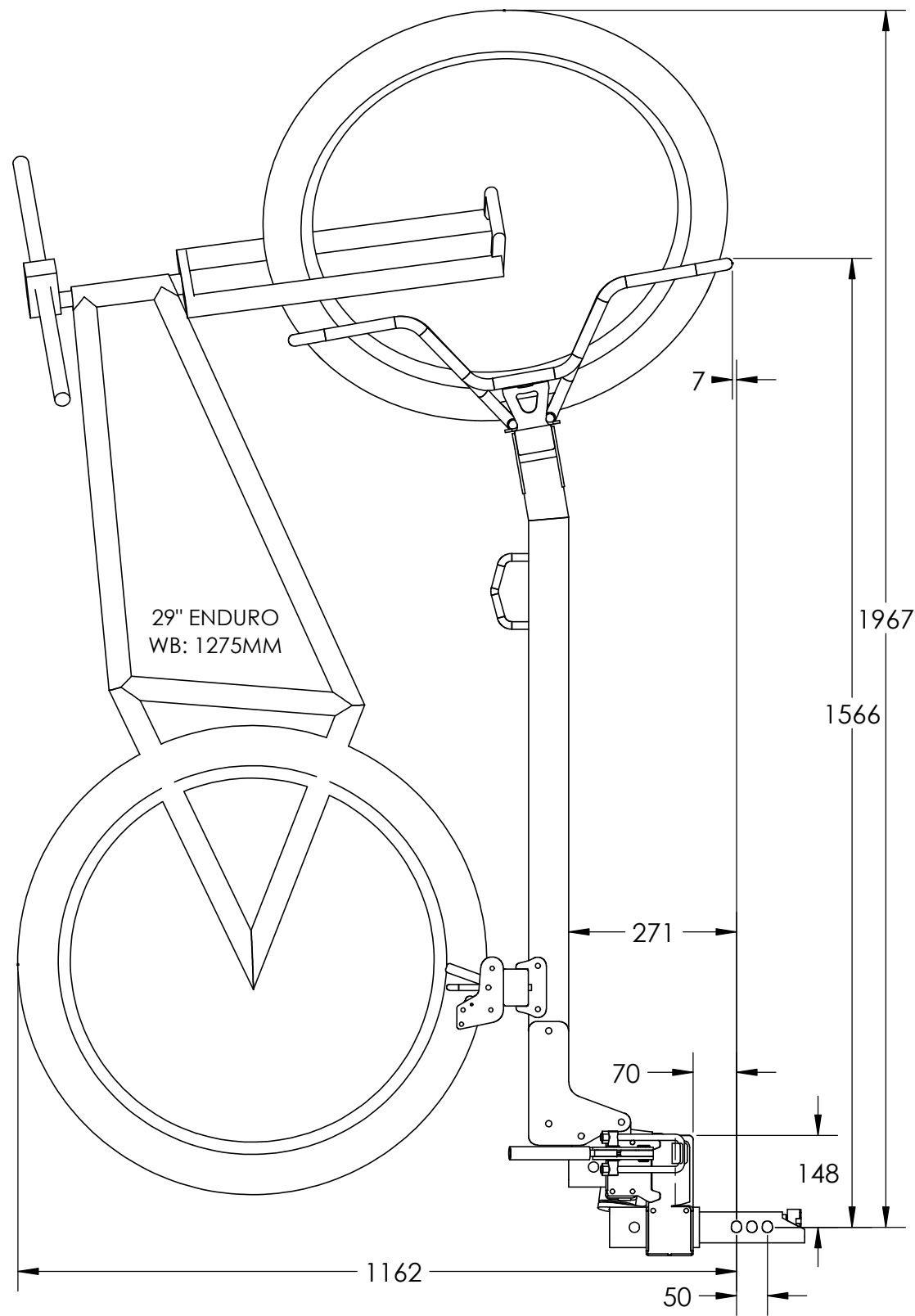
C

B

B

A

A



SINGLE TRAIL SUPER SWING PAJERO

© COPYRIGHT IS OWNED BY CURRIE ENGINEERING, CREATED 1/7/15.
THIS DOCUMENT IS CONFIDENTIAL. REPRODUCTION, DISCLOSURE OR USE OF
THIS DOCUMENT IS STRICTLY PROHIBITED WITHOUT WRITTEN PERMISSION OF
CURRIE ENGINEERING, ABN 98 129 128 035, WALLACE, VICTORIA AUSTRALIA 3352



UNLESS OTHERWISE SPECIFIED:
DIMENSIONS ARE IN MILLIMETERS
SURFACE FINISH:
TOLERANCES:
LINEAR:
ANGULAR:

DWG NO. HITCH SWING COMPLETE

A3

SCALE:1:10

SHEET 1 OF 1

8 7 6 5 4 3 2 1